

WAFER CHECK VALVE RSK

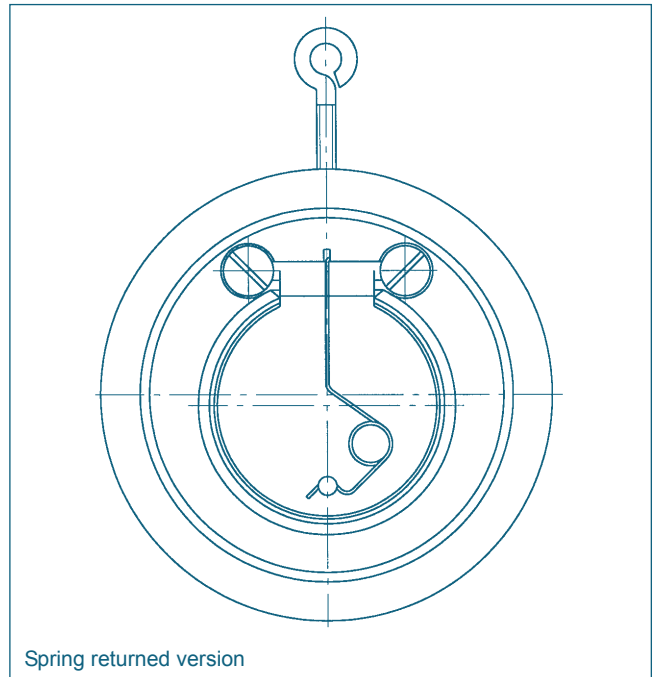


Technical data:

Nominal diameter:	1 1/4 in – 16 in
Face-to-face:	Ebro Standard
Flange accommodation:	DIN 2632/33 PN 10/16, ANSI 150
Marking:	DIN EN 19
Tightness check:	DIN 3230 T3 BO, BN (Leakage Rate 1) ISO 5208, Category 3 API 598 Table 5 ANSI B 16-104, Class VI
Temperature range:	32 °F / 392 °F, depending on sealing and body material.
Body:	Aluminium, AISI 304, AISI 316, Brass, PUDF
Disc:	AISI 304, AISI 316
Attaching pins:	AISI 304, AISI 316
Seals:	NBR, FPM, EPDM, PTFE
Pressure range:	max. 145 psi

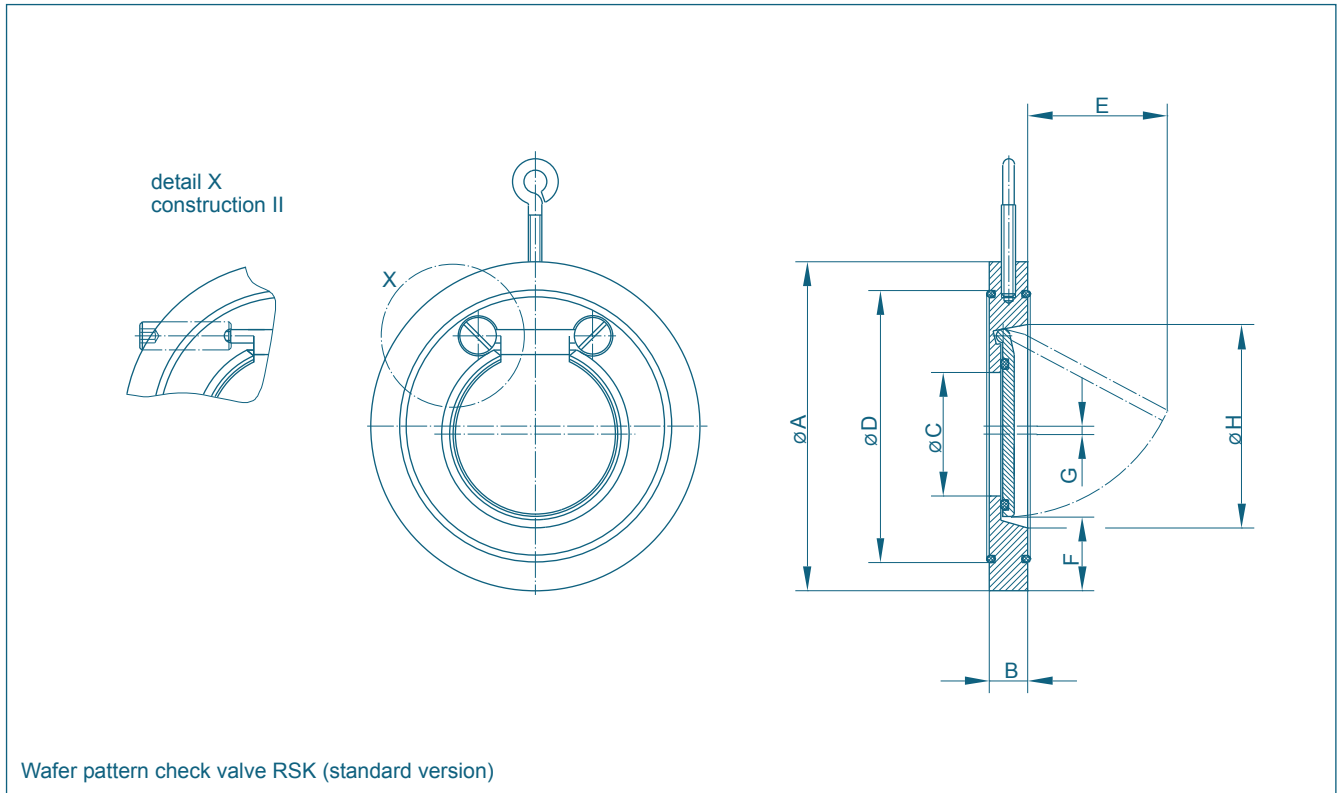
FEATURES:

- Can be installed in any desired position
- Centering over the outside diameter of the body
- Holder-eye for easy centering
- Extremely short face-to-face dimensions
- Materials can be changed among each other
- All constructions are available in spring-returned version
- Maintenance-free, simple mounting



Subject to change without notice.

WAFER CHECK VALVE RSK



DN [mm]	Size [in]	Dimensions [in]										Plastic Weight [lb]	Metal Weight [lb]
		A	Plastic B spring returned		Metal B spring returned		C	D	E	F	H ¹⁾		
32	1¼	3.35	0.59	0.59	0.59	0.59	0.71	2.32	0.87	0.99	1.46	0.22	1
40	1½	3.74	0.63	0.63	0.63	0.63	0.87	2.84	0.99	1.10	1.69	0.22	1
50	2	4.29	0.71	0.71	0.67	0.67	1.22	3.39	1.46	1.14	2.13	0.37	2
65	2½	5.08	0.79	0.79	0.67	0.67	1.58	4.14	1.97	1.22	2.76	0.48	3
80	3	5.67	0.79	0.79	0.67	0.67	2.13	4.69	2.40	1.26	3.23	0.57	3
100	4	6.46	0.91	1.30	0.83	0.83	2.76	5.75	3.03	1.22	4.18	0.81	6
125	5	7.68	0.91	0.91	0.71	0.87	3.62	6.82	3.70	1.38	5.16	1	7
150	6	8.67	1.02	1.02	0.79	1.02	4.14	7.76	3.94	1.58	6.26	1	11
200	8	10.84	1.38	1.38	0.87	1.14	6.07	10.05	5.99	1.50	8.16	3	16
250	10	13.00	1.58	1.58	1.02	1.42	7.56	12.29	7.09	1.62	10.24	5	29
300	12	14.97	1.77	1.77	1.26	1.69	8.94	14.30	8.47	1.62	12.17	7	51
350	14	17.34	1.93	1.93	1.50	1.85	10.48	16.39	9.65	2.13	13.44	11	83
400	16	19.35	2.56	2.56	1.73	2.09	12.21	18.40	11.23	2.17	15.44	16	115

The detail X shows the hand emergency actuation (can be delivered for an extra charge).

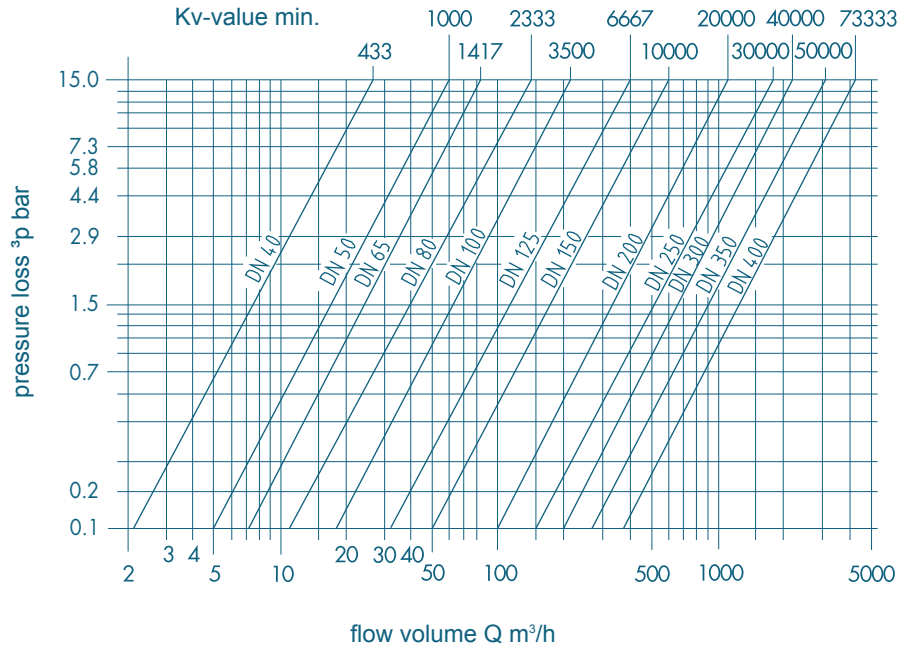
Subject to change without notice.

H = min. mounting-, pipe- inside diameter

¹ For reduced inside diameters, a bend sleeve is available.

WAFER CHECK VALVE RSK

PRESSURE LOSS DIAGRAM



OPENING PRESSURE [mpsi]

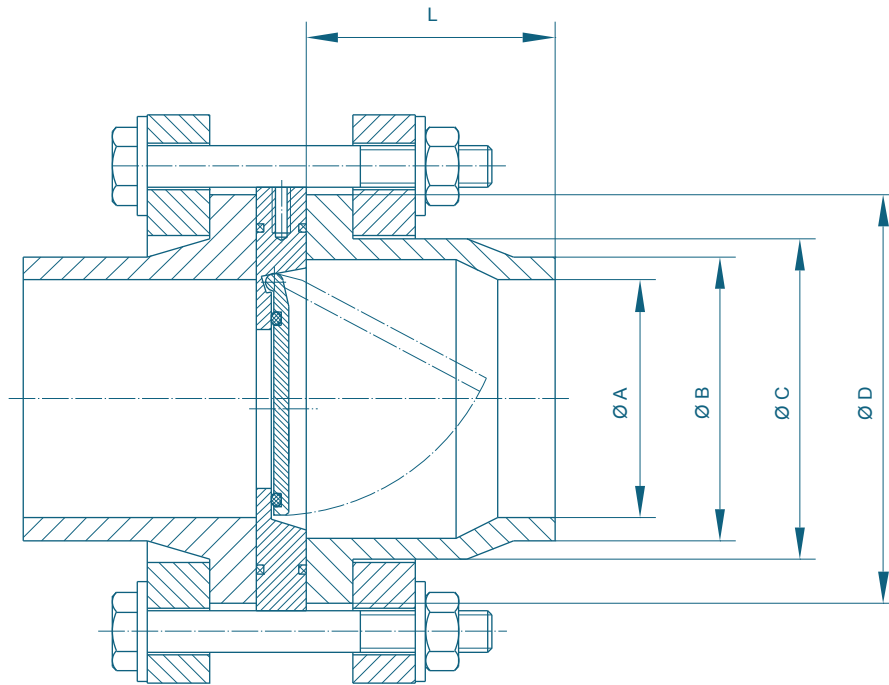
DN [mm]	Size [in]	Direction of flow							
		PVC version		PVC spring returned		Metal version		Metal spring returned	
		vert.	hor.	vert.	hor.	vert.	hor.	vert.	hor.
32	1¼	58	15	174	102	–	–	–	–
40	1½	58	15	174	102	73	15	–	–
50	2	58	15	174	102	73	15	174	102
65	2½	58	15	174	102	73	15	174	102
80	3	102	15	290	102	174	15	174	102
100	4	102	15	290	102	174	15	290	116
125	5	102	15	290	102	174	15	290	116
150	6	102	15	290	102	290	15	290	116
200	8	174	15	392	116	290	15	392	116
250	10	174	15	392	116	290	15	392	116
300	12	174	15	392	116	363	15	392	116
350	14	232	15	508	131	363	15	508	131
400	16	232	15	508	131	363	15	508	131
500	20	232	15	508	131	–	–	–	–

Approximate values.

Subject to change without notice.

Installing the check valve on top of a pump please ensure that neither the valve is mounted directly on the pump flange or the following bend or a smoothing section of less than 5xDN is observed.
For tight sealing of the DC a back pressure of not less than 4.35 psi is required.

WAFFER CHECK VALVE RSK



Bend sleeve for RSK (PN 10)

DN [mm]	Size [in]	Dimensions [in]				
		A	B	C	D	L
32	1¼	1.38	1.58	1.97	3.15	1.77
40	1½	1.73	1.97	2.40	3.55	1.89
50	2	2.17	2.48	3.03	4.14	2.13
65	2½	2.60	2.96	3.59	4.93	2.29
80	3	3.11	3.55	4.29	5.52	2.84
100	4	3.82	4.33	5.20	6.30	3.62
125	5	4.89	5.52	6.54	7.49	3.94
150	6	5.56	6.30	7.45	8.47	4.73
200	8	7.84	8.87	9.81	10.64	6.50
250	10	9.77	11.03	11.54	12.81	7.68
300	12	11.03	12.41	13.28	15.17	9.85

Subject to change without notice.